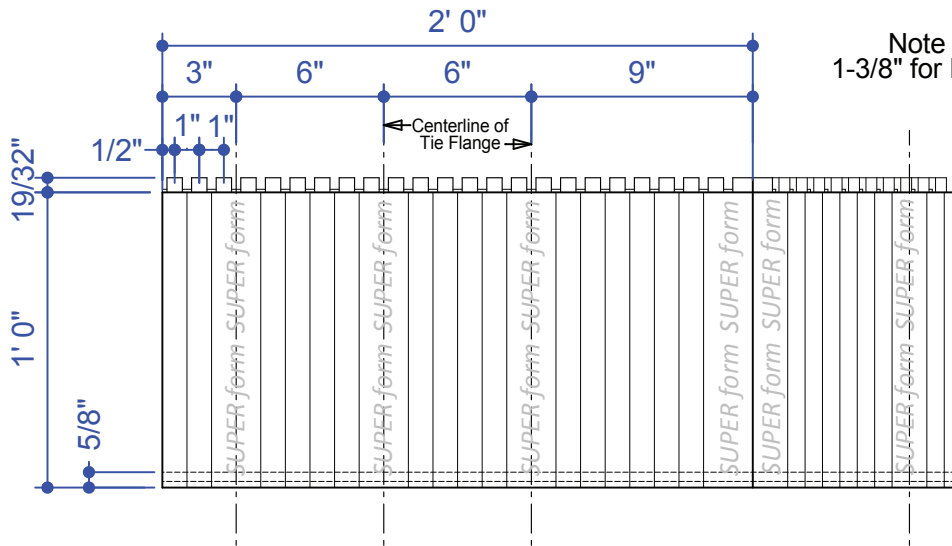
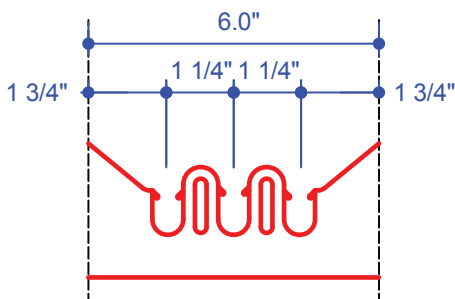


**6.0" Corner 45° Block
Top View**

Note : Tie flange Width of 1-3/8" for Fastening behind SF logo

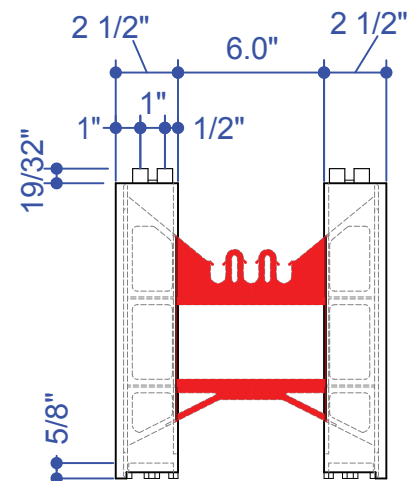


**6.0" Corner 45° Block
Outside Corner Side Elevation**



Typical Tie Detail

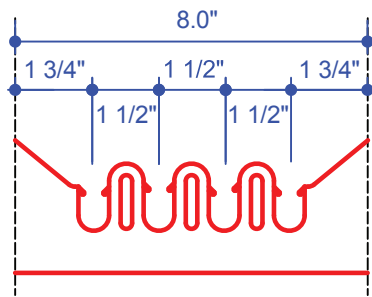
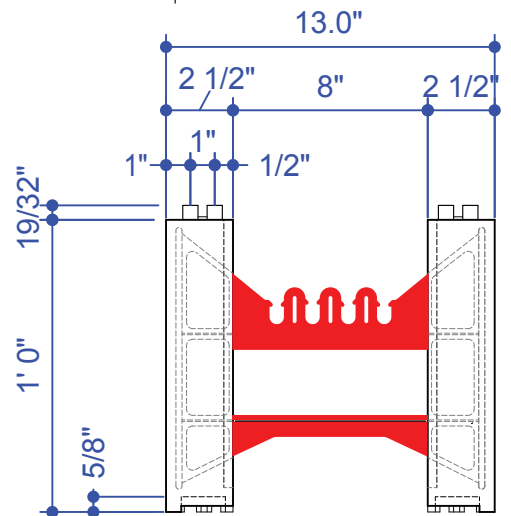
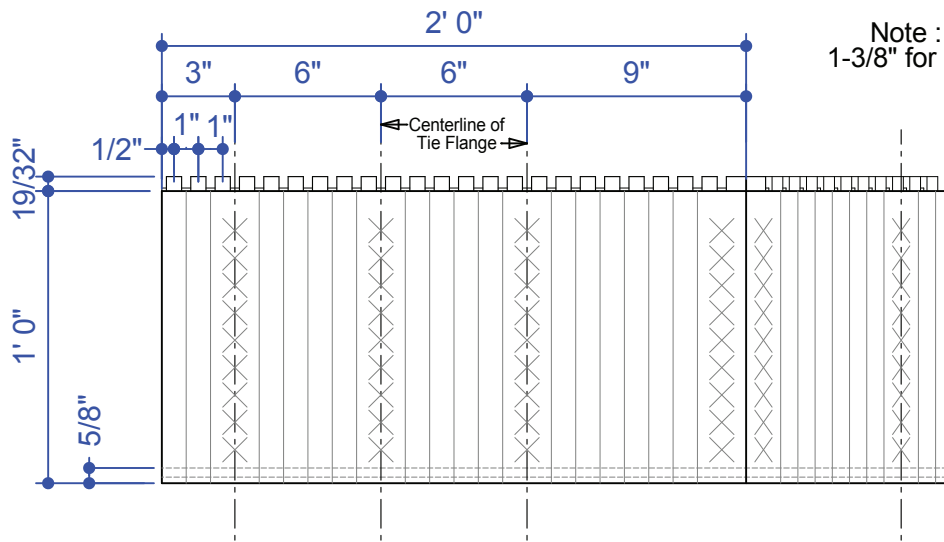
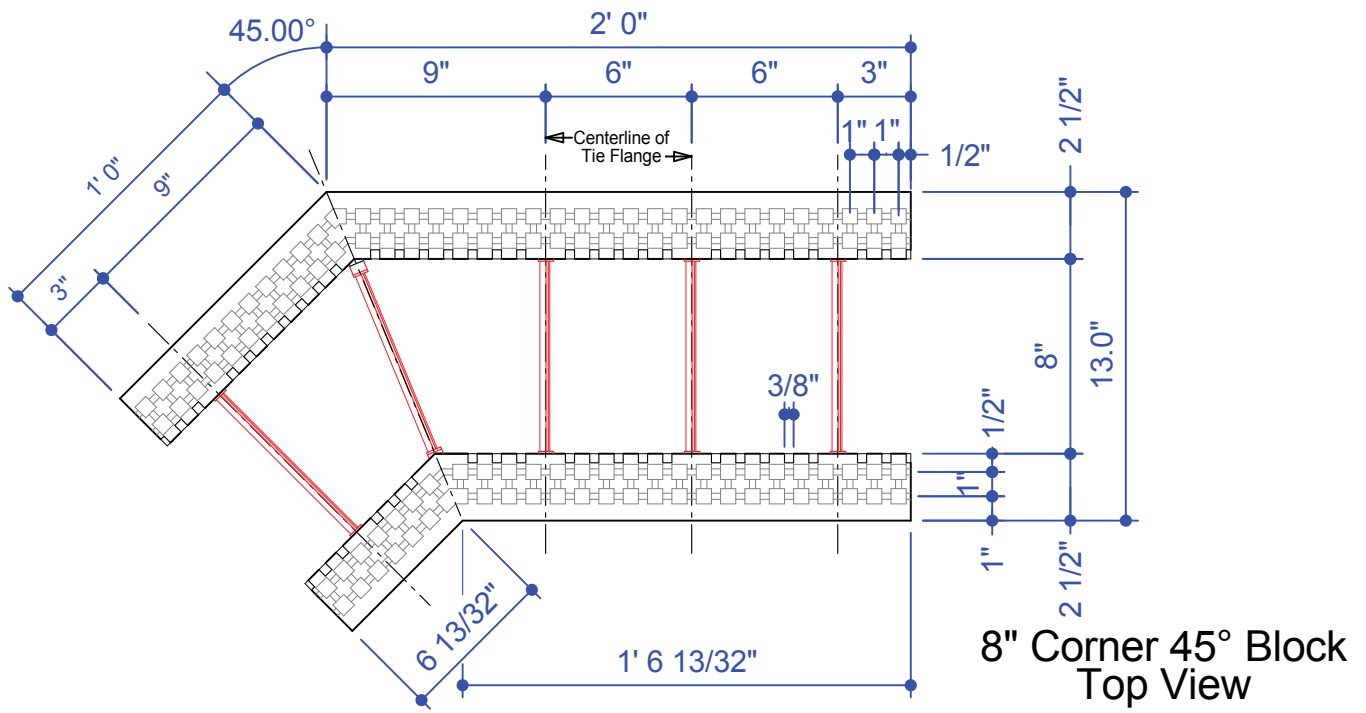
**A
1** **Corner 45° Block
Typical Section**



P 877.627.3555 E info@superformicf.ca superformicf.ca
Box 2696, 1065 Willow Street, Pincher Creek, AB T0K 1W0

6.0" 45° Corner Block

Drawn By: Laura Trent | Date: October 2013 | Pg No: 1 of 1 | DWG No: 1.5.3
Copyright © Superform Products Ltd. 2019



8" Corner 45° Block Typical Section

8" Typical Tie Detail. Scale 2:1



P 877.627.3555 E info@superformicf.ca superformicf.ca
 Box 2696, 1065 Willow Street, Pincher Creek, AB T0K 1W0

8.0" 45° Corner Block

Drawn By: Laura Trent | Date: January 2012 | Pg No: 1 of 1 | DWG No: 1.2.3
 Copyright © Superform Products Ltd. 2019