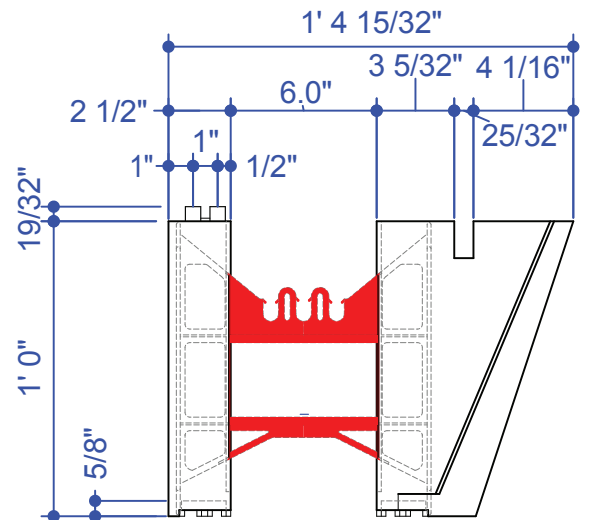
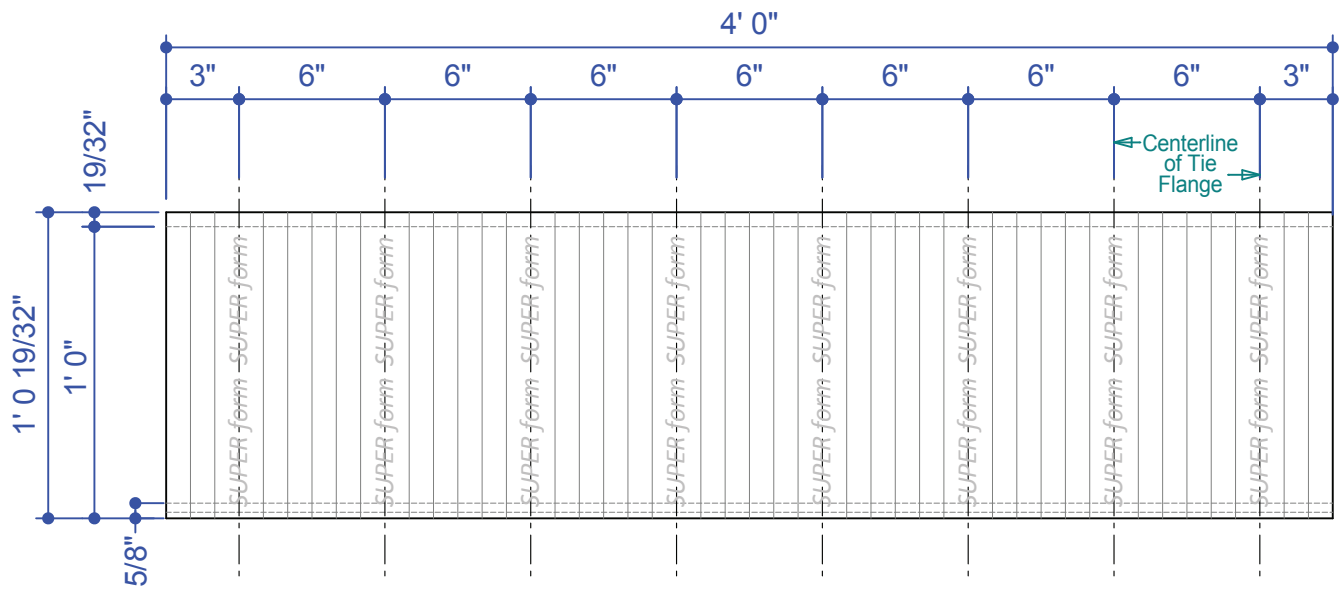


6" Typical Tie Detail

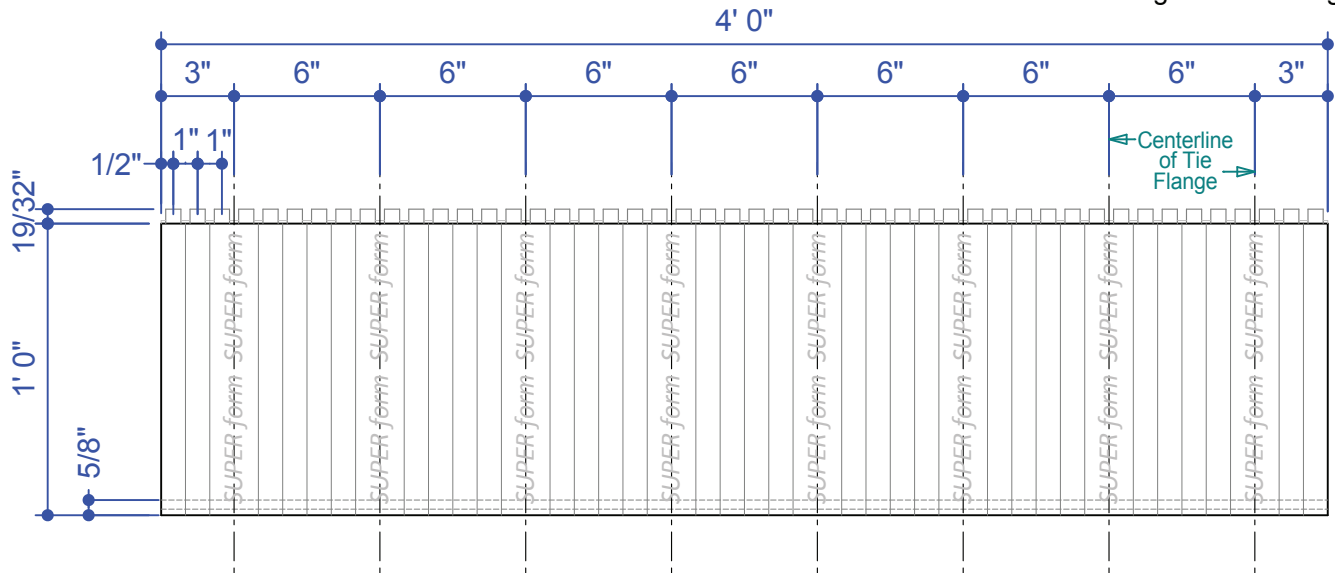
A  
1 6.0" Ledge Block  
Typical Section





6.0" Ledge Block - Front View

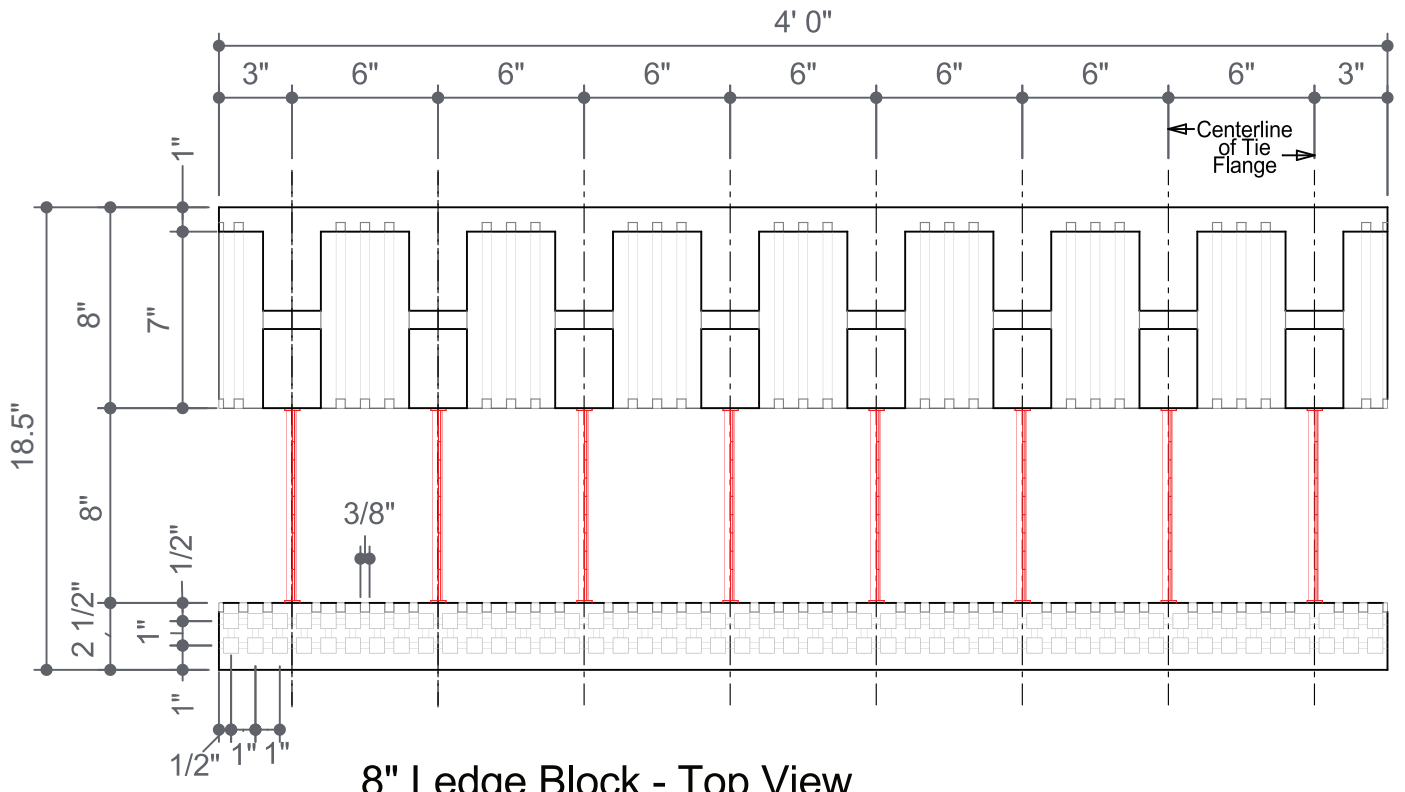
Note : Tie flange Width of 1-3/8" for Fastening behind SF logo



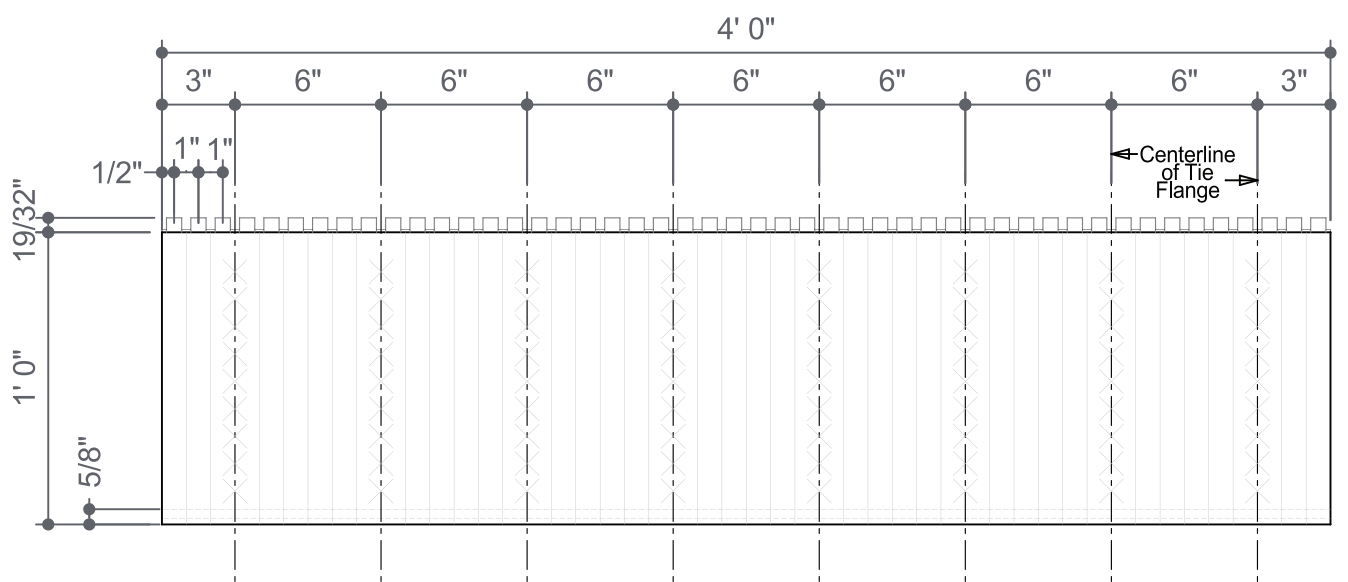
6.0" Ledge Block - Back View



## 6.0" Brick Ledge Block



8" Ledge Block - Top View



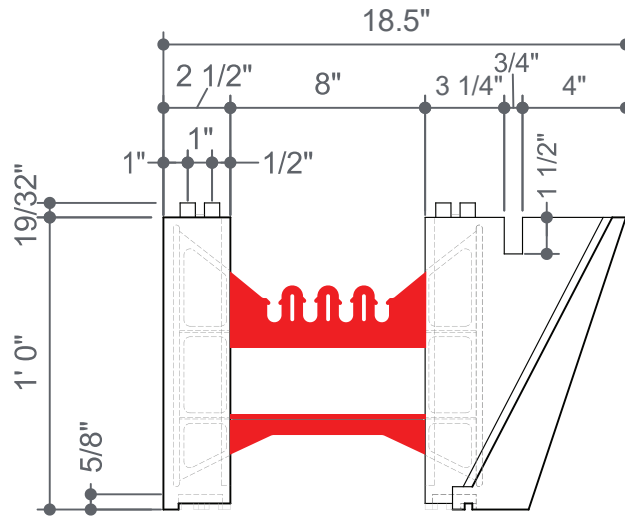
8" Ledge Block - Front View



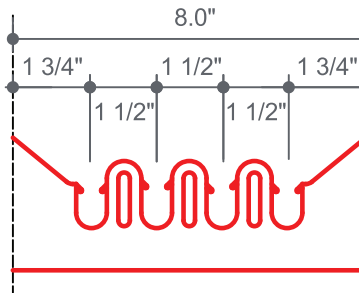
P 877.627.3555 E info@superformicf.ca superformicf.ca  
 Box 2696, 1065 Willow Street, Pincher Creek, AB T0K 1W0

### 8.0" Brick Ledge Block

Drawn By: Laura Trent | Date: January 2012 | Pg No: 1 of 2 | DWG No: 1.4.5  
 Copyright © Superform Products Ltd. 2019



A  
1
 8" Ledge Block  
 Typical Section



8" Typical Tie Detail  
 Scale 2:1