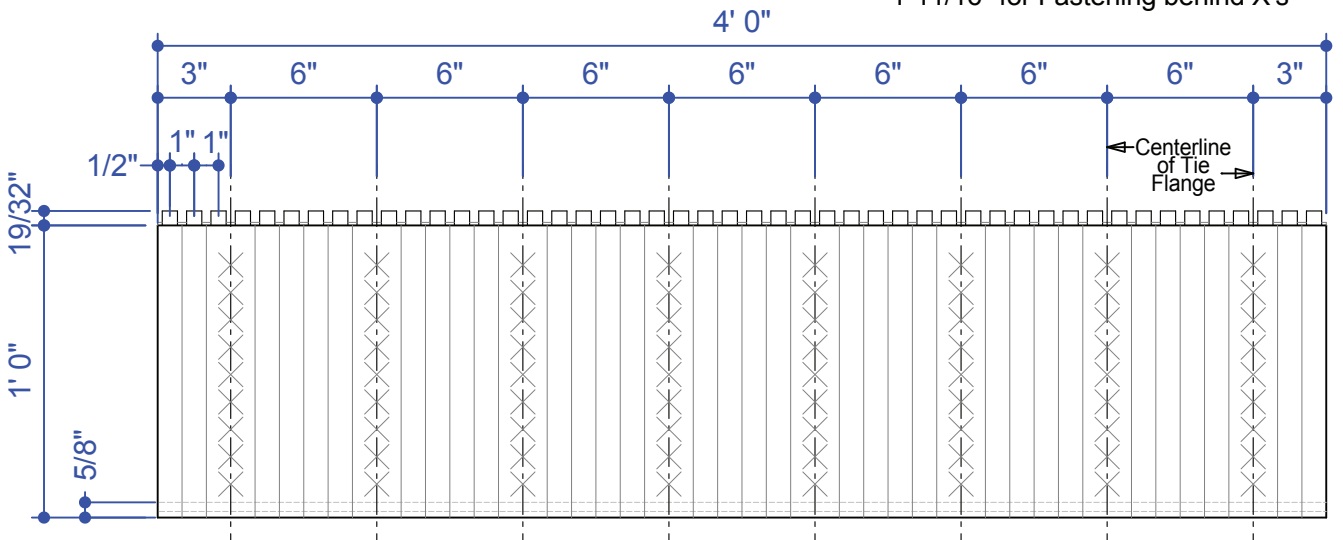
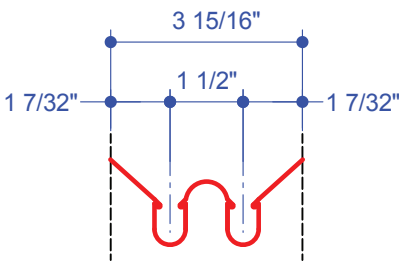


Standard 4" Block - Top View

Note : Tie flange Width of 1-11/16" for Fastening behind X's

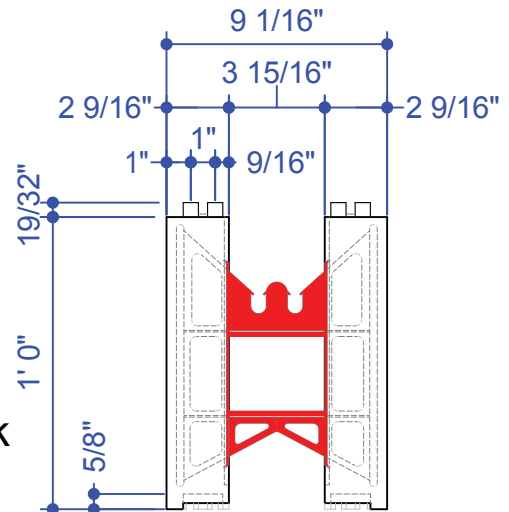


Standard 4" Block - Front View

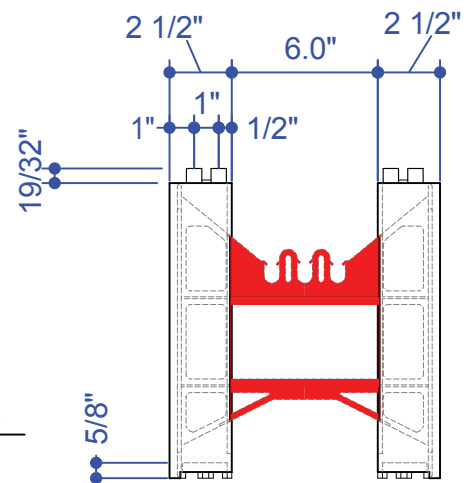
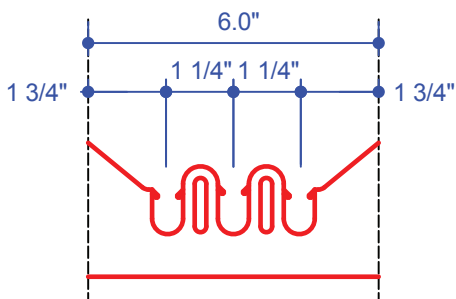
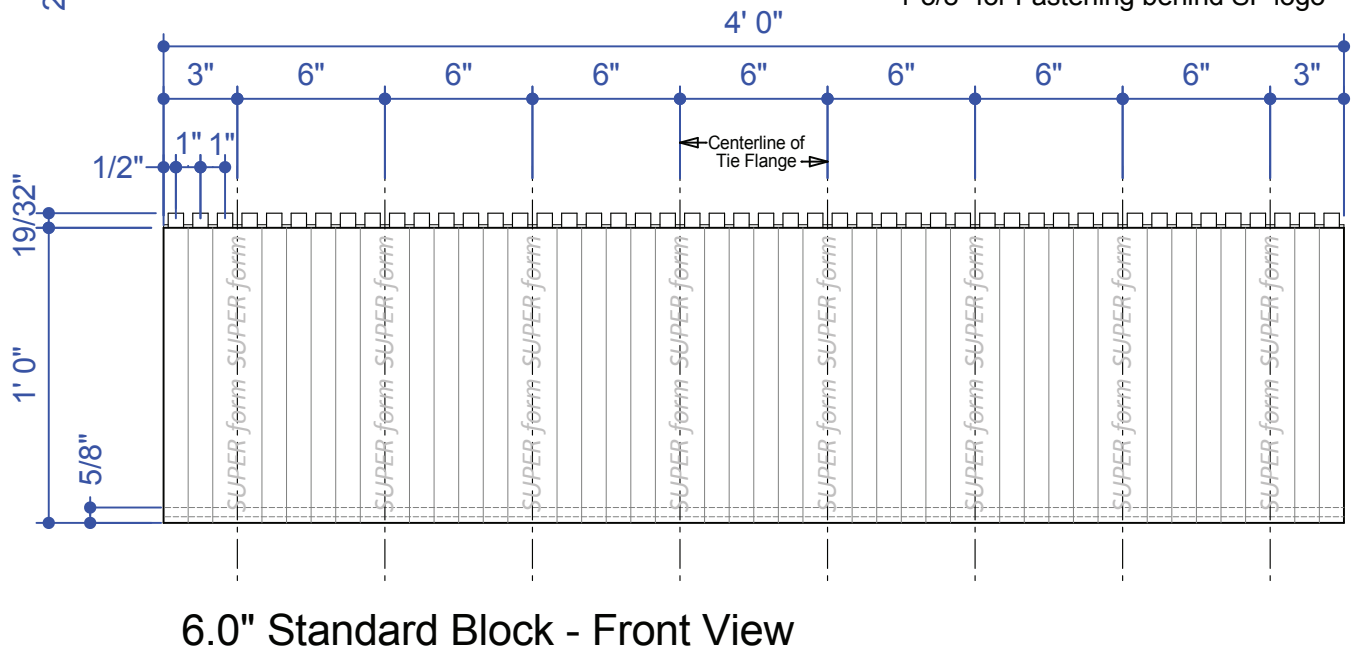
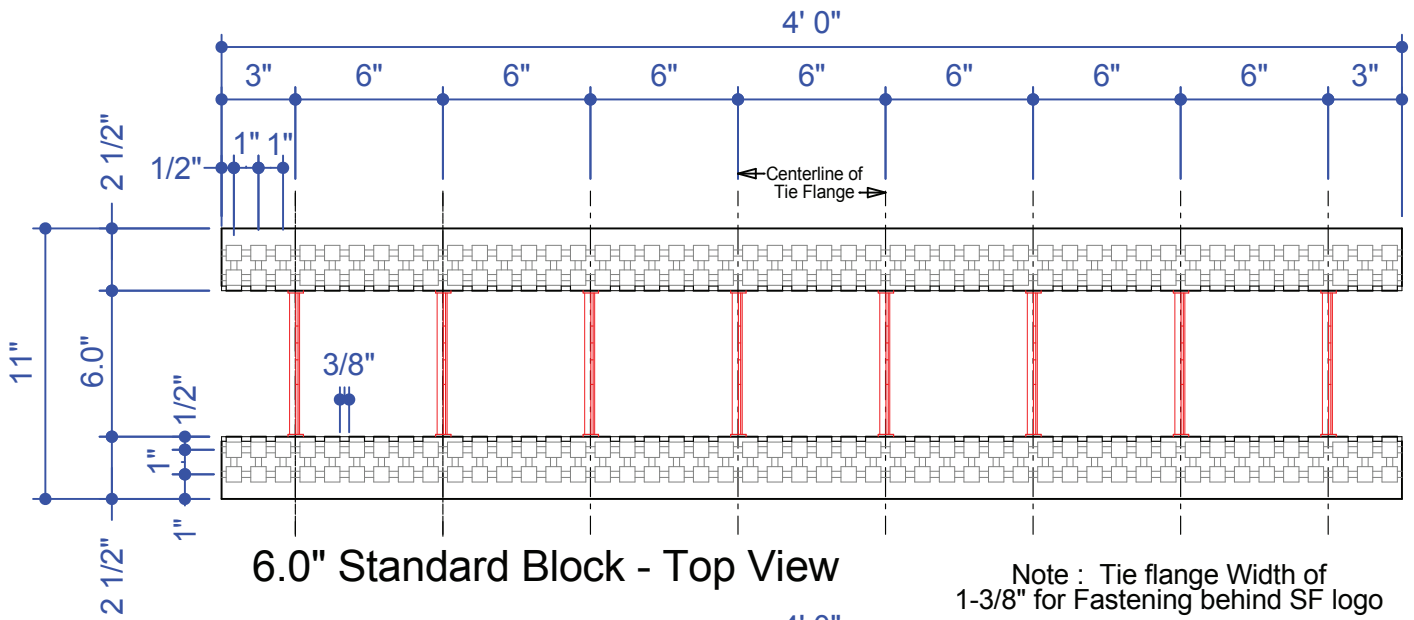


4" Typical Tie Detail
Scale 2:1

4" Standard Block
Typical Section



4.0" Standard Block



A
1

6.0" Standard Block

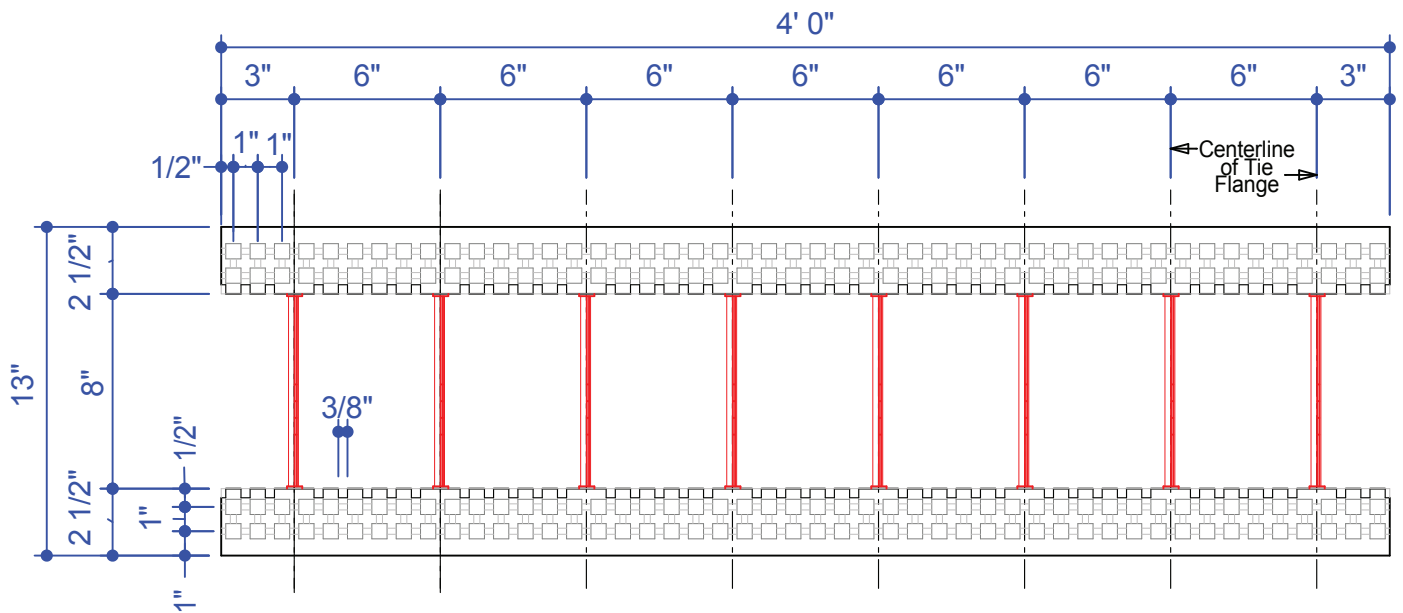
Typical Section



P 877.627.3555 E info@superformicf.ca superformicf.ca
Box 2696, 1065 Willow Street, Pincher Creek, AB T0K 1W0

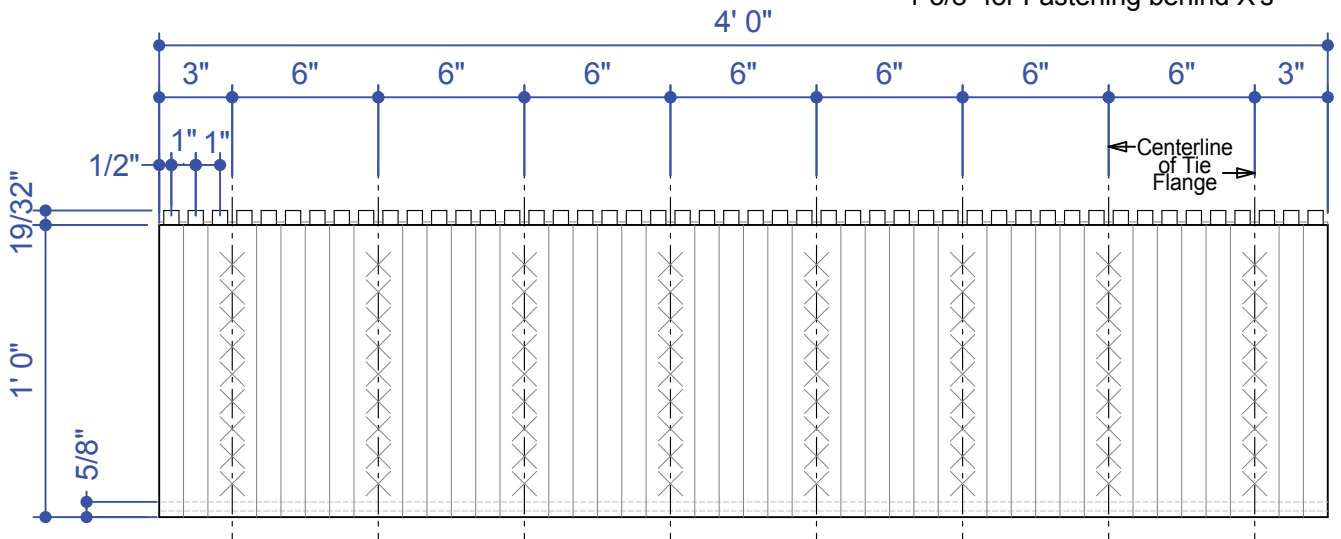
6.0" Standard Block

Drawn By: Laura Trent | Date: October 2013 | Pg No: 1 of 1 | DWG No: 1.5.1
Copyright © Superform Products Ltd. 2019

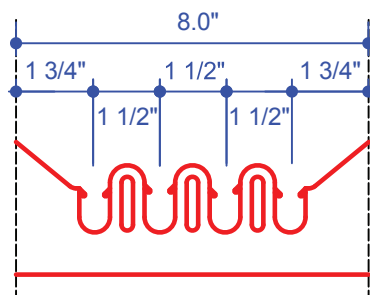


Standard 8" Block - Top View

Note : Tie flange Width of 1-3/8" for Fastening behind X's



Standard 8" Block - Front View



8" Typical Tie Detail
Scale 2:1

8" Standard Block
Typical Section

