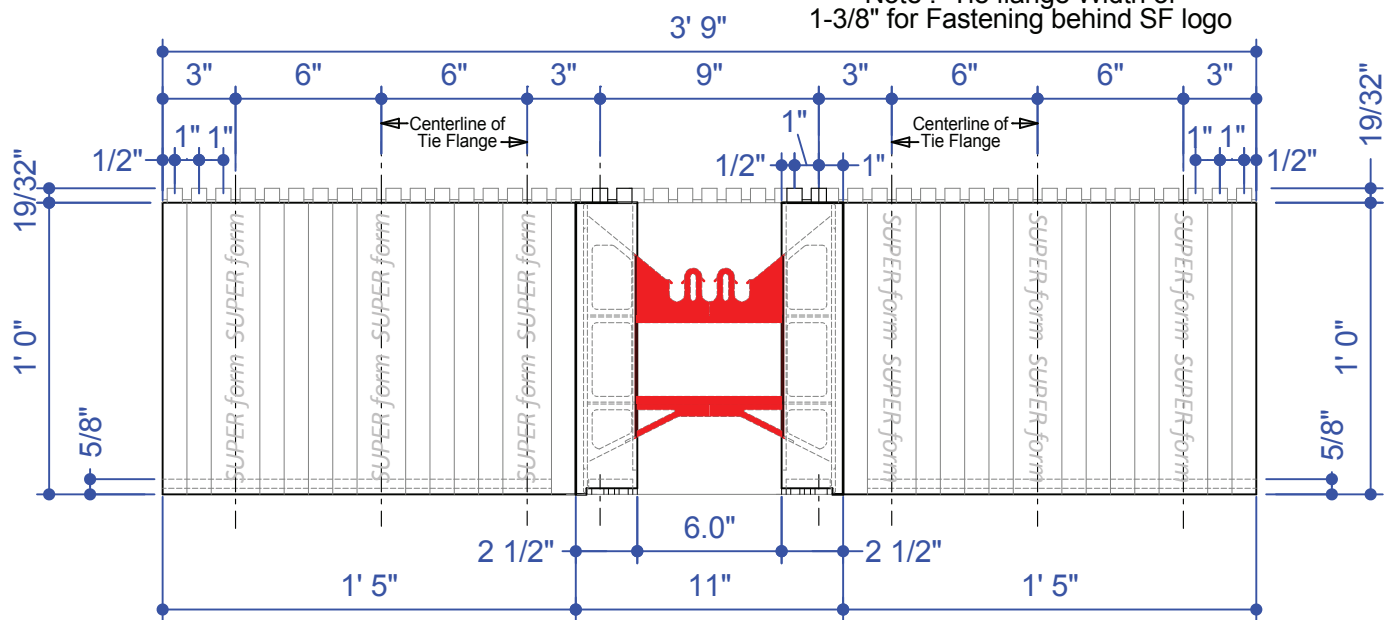
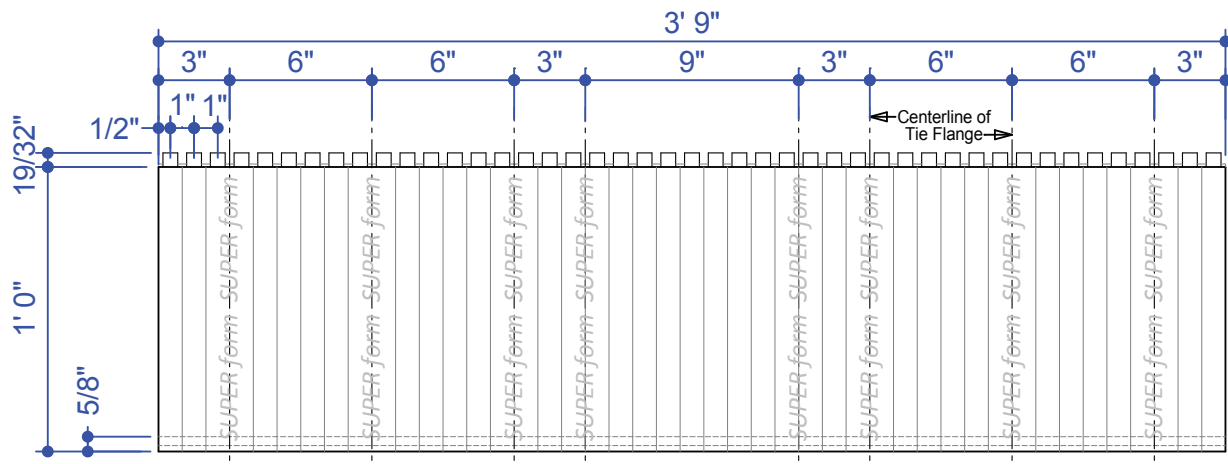


Note : Tie flange Width of 1-3/8" for Fastening behind SF logo

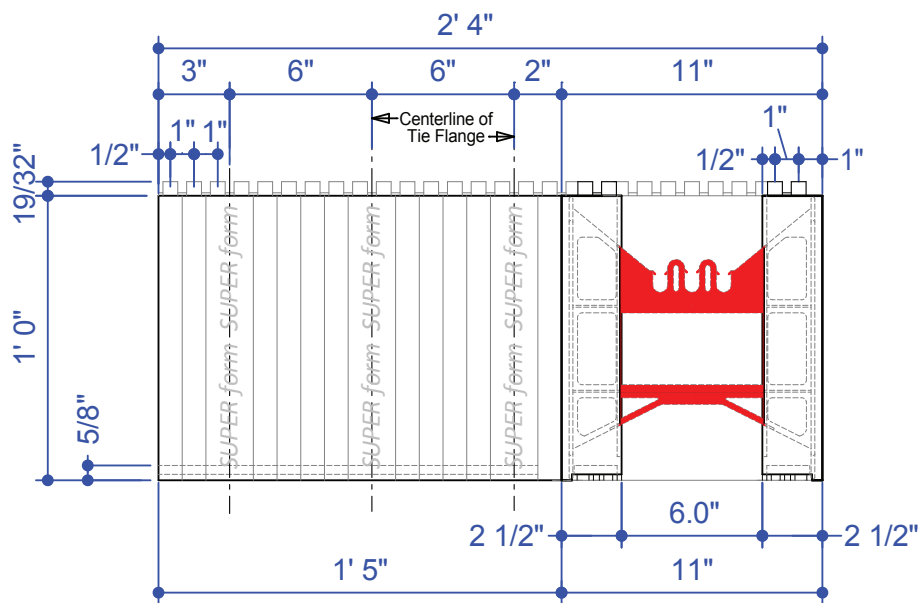


6.0" T Block

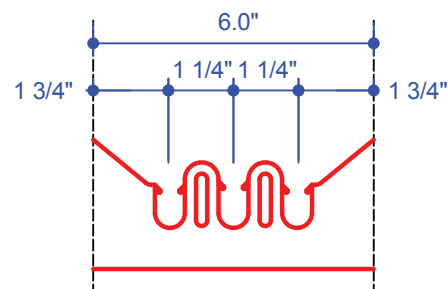


6.0" T-Block
Straight Side Elevation

Note : Tie flange Width of 1-3/8" for Fastening behind SF logo



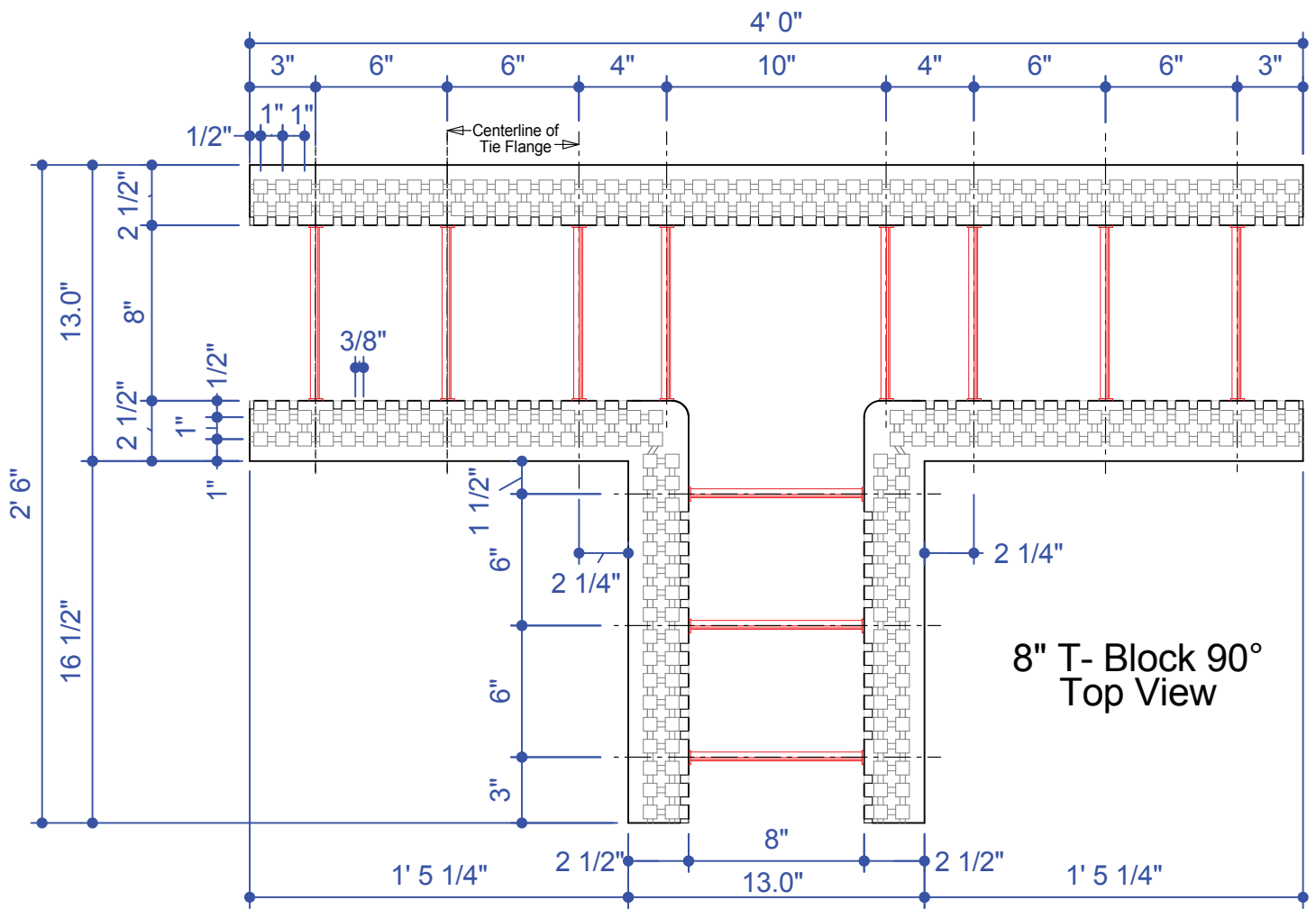
6.0" T-Block
Inner Corner Side Elevation
& End View



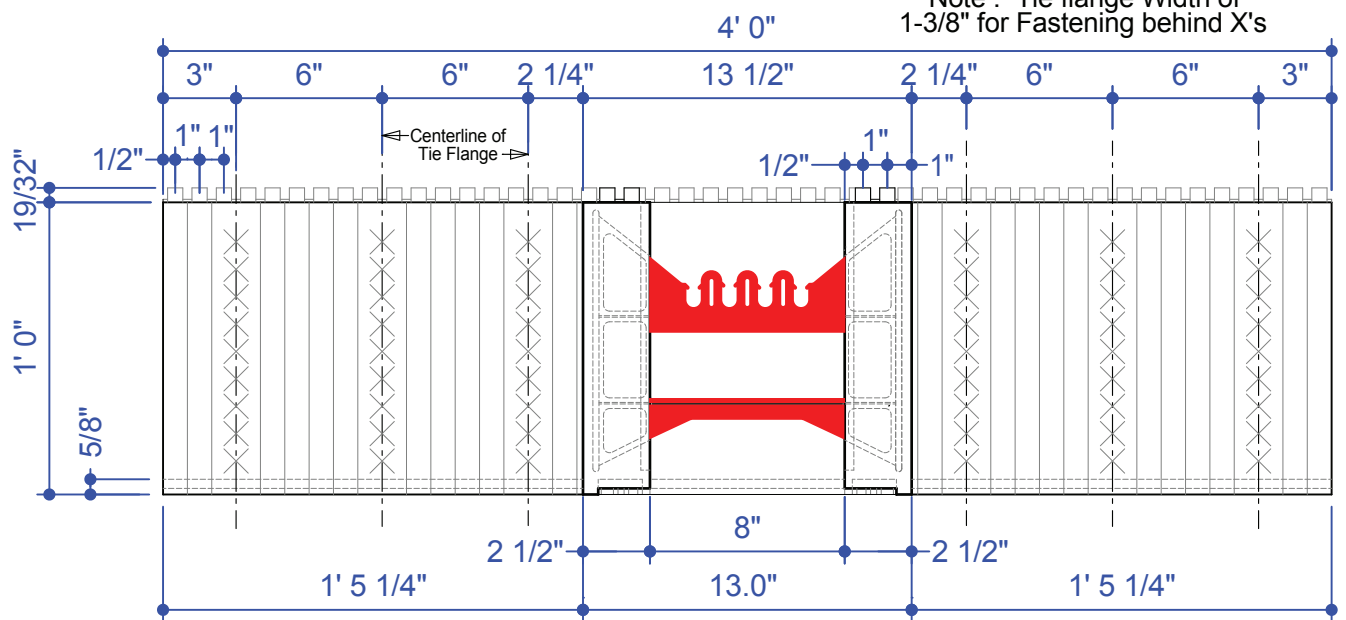
A Typical Block
1 Tie Detail



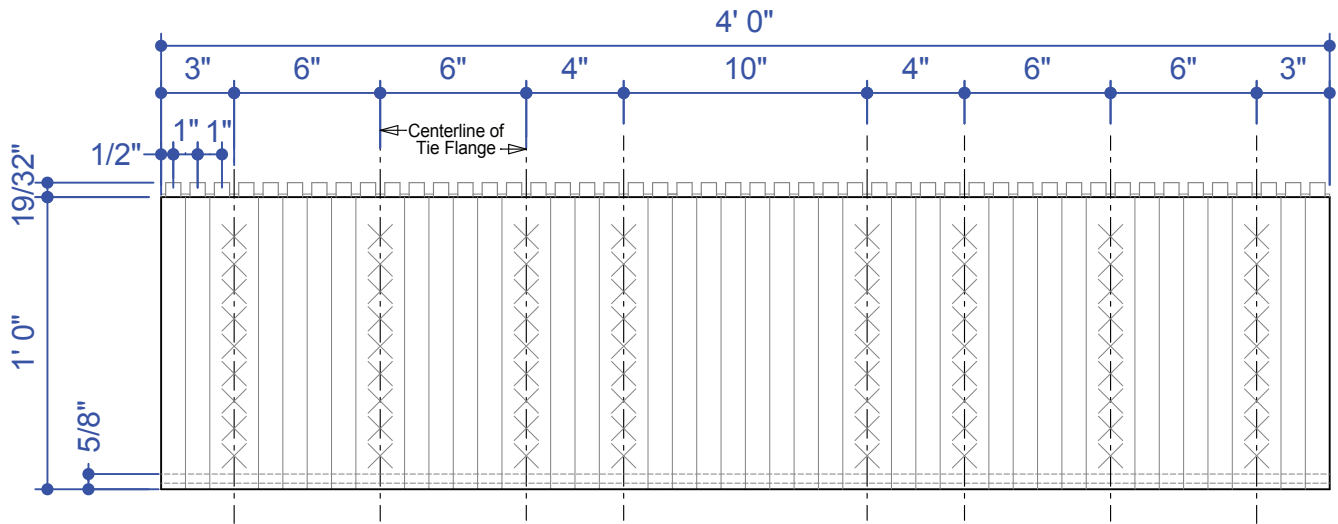
6.0" Ledge Block



Note : Tie flange Width of 1-3/8" for Fastening behind X's

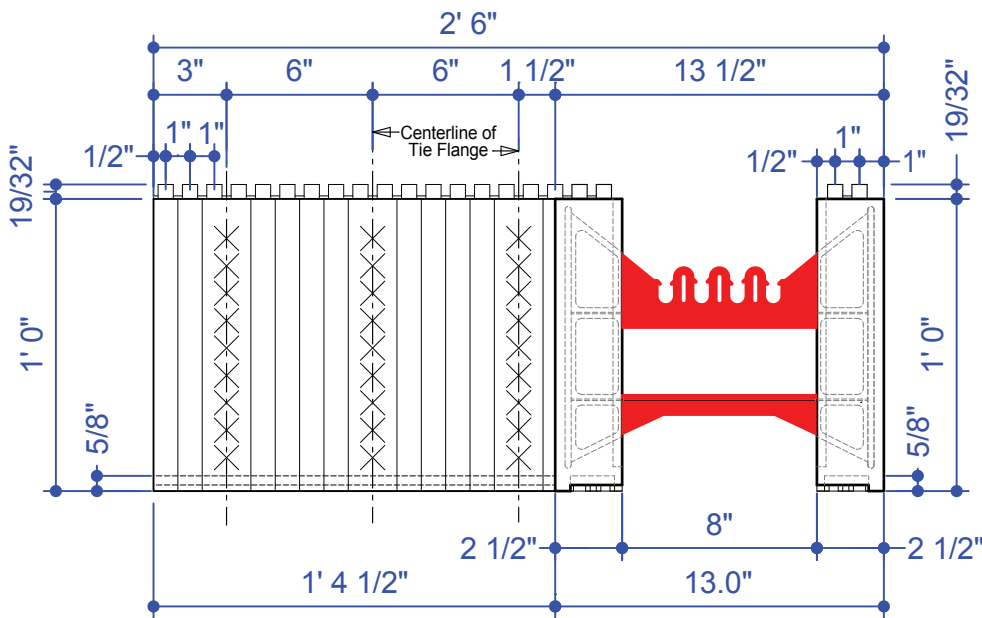


8.0" T Block

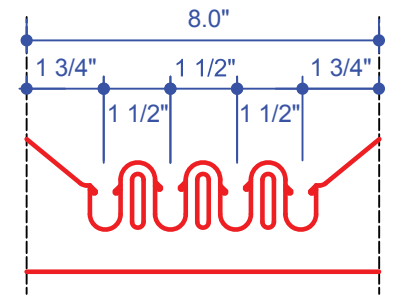


8" T- Block 90° Straight Side Elevation

Note : Tie flange Width of 1-3/8" for Fastening behind X's



8" T- Block 90° Inner Corner Side Elevation & End View



8" Typical Tie Detail Scale 2:1



8.0" T Block