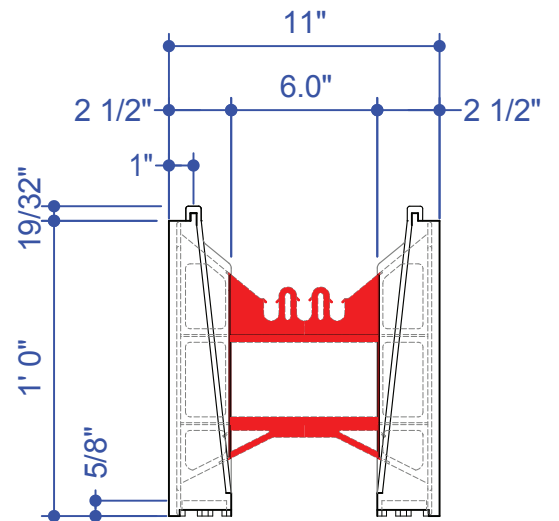
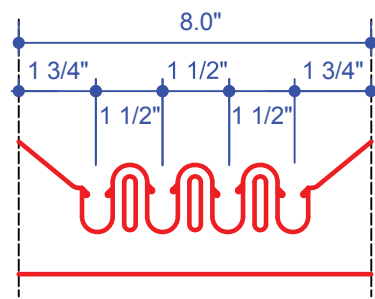
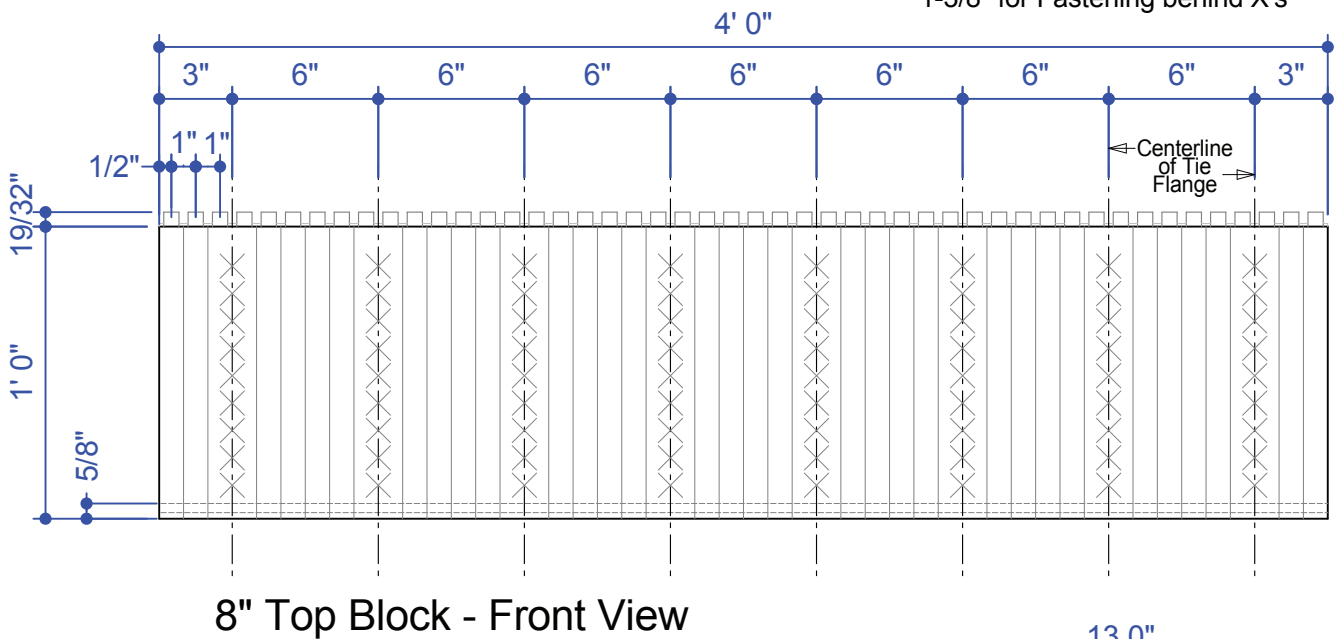
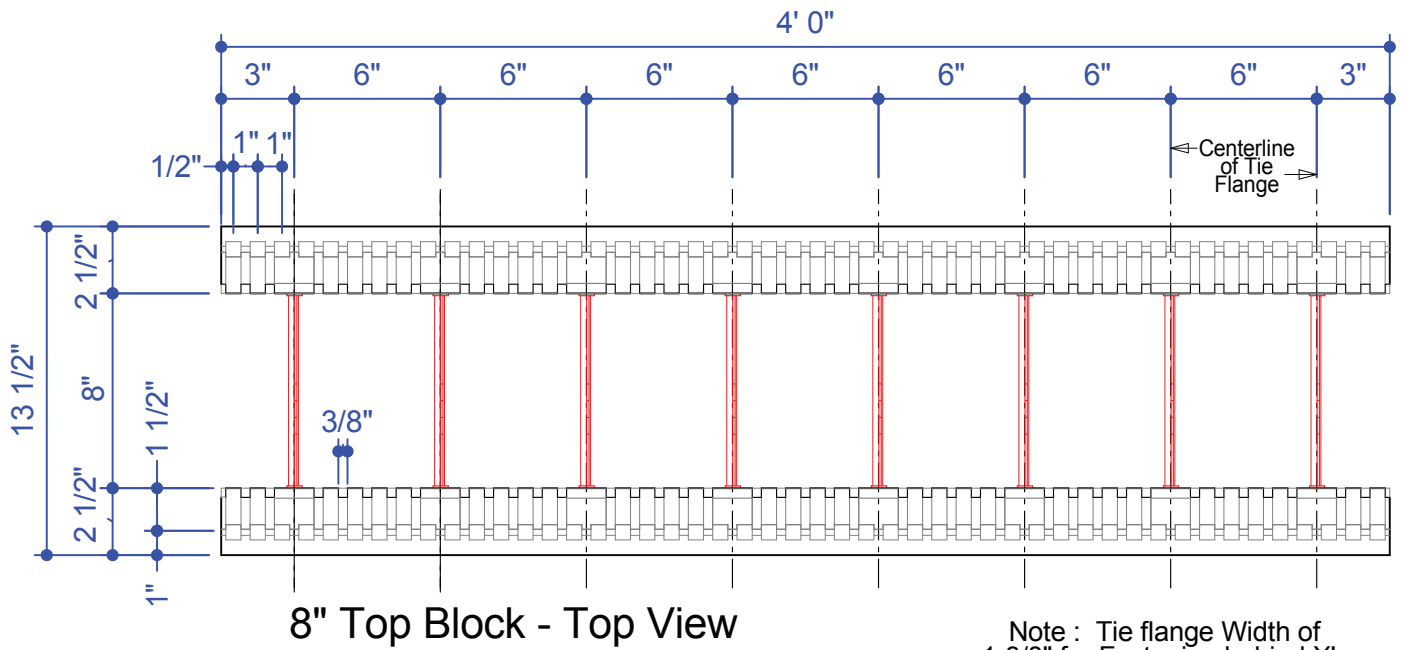


A  
1  
6.0" Top Block  
Typical Section





8" Typical Tie Detail  
Scale 2:1

8" Top Block  
Typical Section

